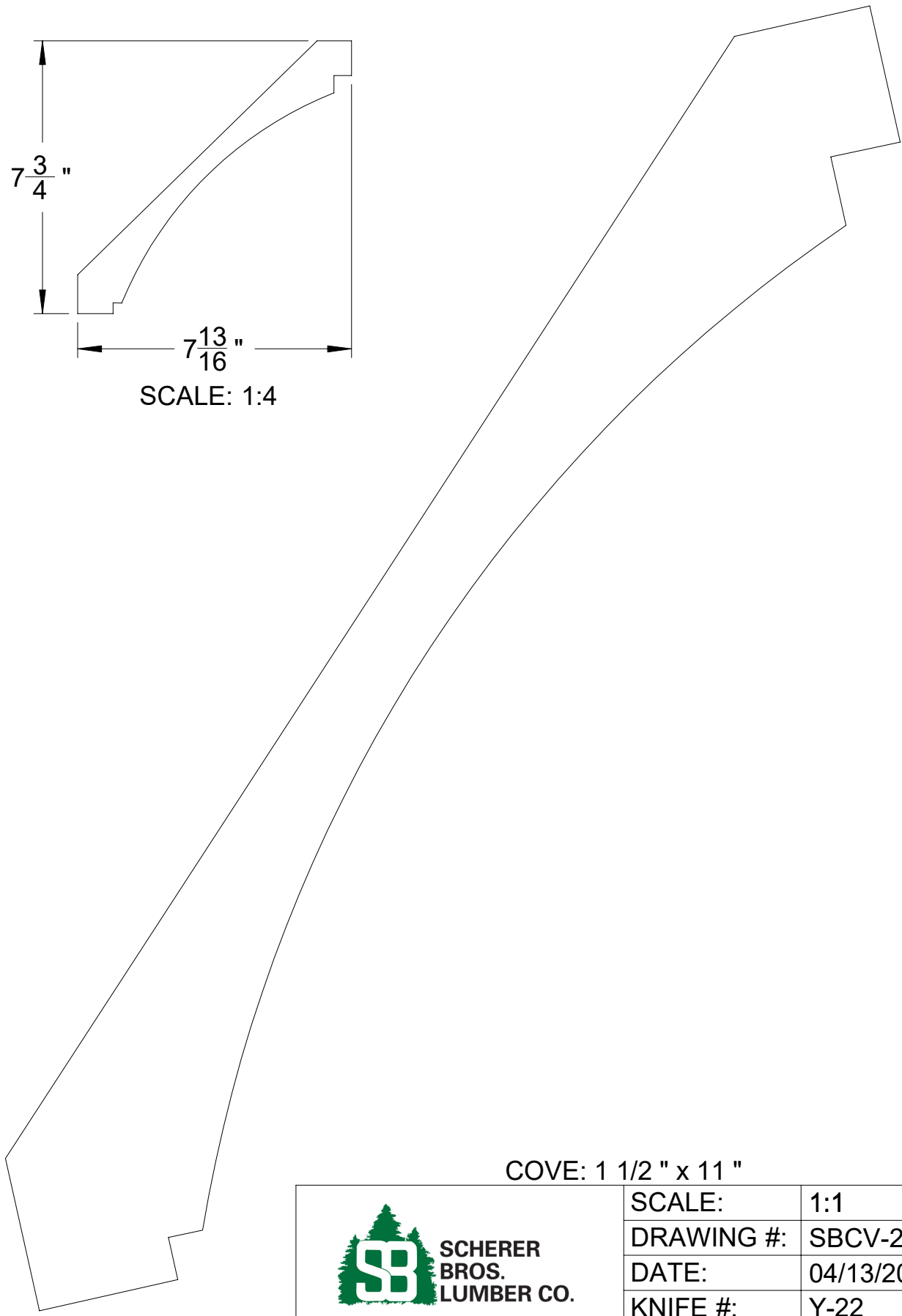



SCALE: 1:4



COVE: 1 1/2 " x 11 "

 <b>SCHERER BROS. LUMBER CO.</b>	SCALE:	1:1
	DRAWING #:	SBCV-241
	DATE:	04/13/2024
	KNIFE #:	Y-22